

## Delivery Installation Form – Reference Diagrams

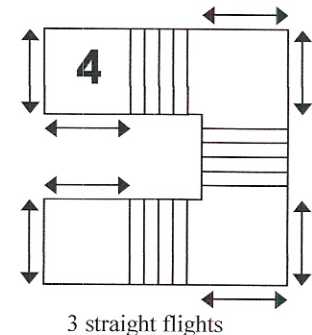
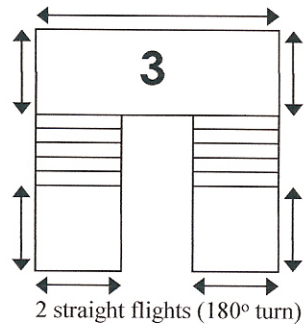
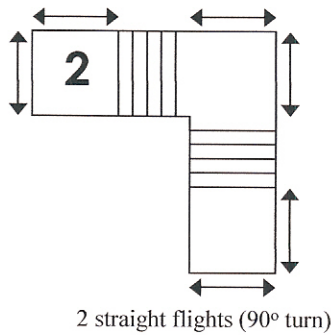
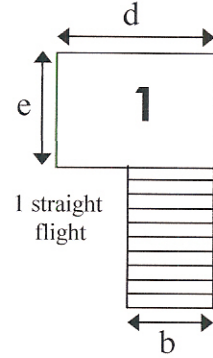
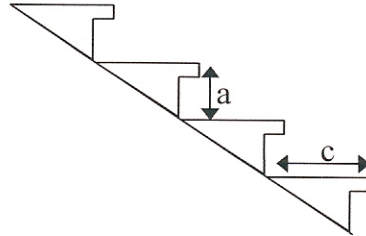
### If Delivery is via Stairs:

**Note:** Where an arrow is indicated (  $\longleftrightarrow$  ) please check / supply this measurement

#### Straight Stair Flights:

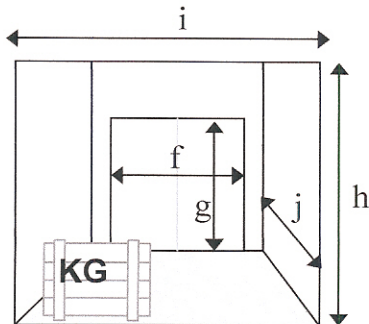
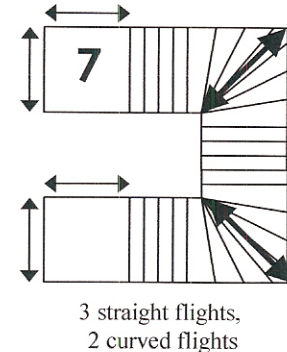
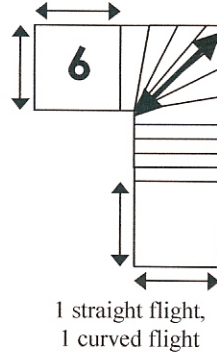
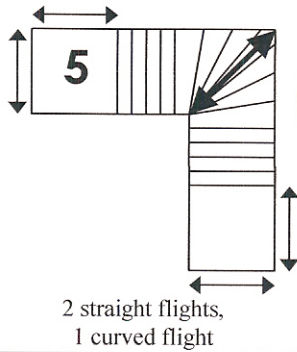
A standard mechanical “stair climber” delivery is possible when “b” (Stair Width) is wider than 746mm and when “d” and “e” are greater than 1590mm

- a: Stair Height
- b: Stair Width
- c: Stair Depth
- d: Landing Width
- e: Landing Depth



#### Corner / Curved Stair Flights:

For L-shaped continuous stairs as shown in figs 5, 6, and 7 below, a mechanical “Stair Climber” is not suitable. Therefore a four man carry crew is the only possible method



#### If Delivery is via a Lift:

- f: Width of Door Opening
- g: Height of Door Opening
- h: Internal Height
- i: Internal Width
- j: Internal Depth
- KG: Maximum Loading Weight